

LEVELUPS

SERIES

10-1000 kVA **3:3**

PHASE

ONLINE UPS



DATA CENTER



MEDICAL



TRANSPORT



INDUSTRY



EMERGENCY



UPS ONLINE



TOWER



POWER FACTOR



SERVICE



HIGHLIGHTS

- True Three Level Rectifier and Inverter Technology
- Ultra High Energy Efficiency
- Full Rated Power Factor kW=kVA

Innovative 3 Level Technology

- LevelUps Series with Innovative 3 Level Technology is a true on-line double conversion, three-phase UPS system that provides one of the highest level energy efficiencies in the industry.
- Three level inverter & rectifier design LevelUps Series brings the newest power conversion technology and delivers efficiency up to 96% at 50-75% load operation which is the most common operating range.

CERTIFICATES



The LevelUps Series is certified by TÜV SÜD with regard to product safety (EN 62040-1)

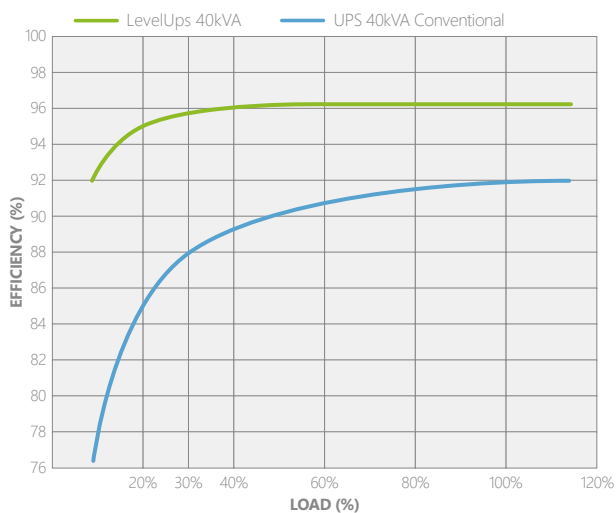


The LevelUps Series is attested by Bureau Veritas with regard to performance (EN 62040-3)



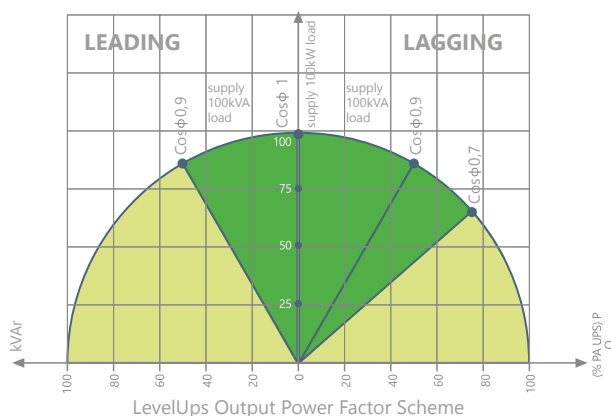
High Efficiency & Low Total Cost of Ownership

- Less energy consumption to supply the loads thanks to high efficiency up to 96%.
- Reduced energy loss.
- Reduced electricity usage and air conditioning requirements.
- Reduction in operating cost of UPS.
- IGBT based power factor correction technology provides input power factor close to 1 ($\geq 0,99$). The high input power leads to reduced electricity pay-out, minimizes cable, switchboard, fuse and generator requirements, thus reducing investment cost.
- Low input current total harmonic distortion (THDi) less than 3% helps to avoid the disturbance and expensive harmonic filters.
- Small footprint and easy maintenance.



High Output Power Factor 1

- Output power factor of 1 (kVA=kW) rate provides up to 25% more active power than a traditional UPS.
- Suitable for modern power supply application with unit or capacitive power factor (e.g. new servers generation).
- No reduction in active power from 0,9 leading to 0,9 lagging.



Maximum Availability

- Parallel configuration up to 8 units per redundancy (N+1) and power increase.
- Loop connection helps the UPS system to continue the operation when the connection cable is interrupted.

Standard Electrical Features

- Dual Input
- Common Battery
- Backfeed Protection
- Cold Start (Optional)
- Advanced Battery Management
- Short Circuit and Overload Protection
- Parallel Ready
- Redundant Power Supply
- Power Walk-in for Progressive Rectifier Start-up when the Mains is Restored.
- Battery Temperature Sensor
- Static and Manual Bypass Operation

Advanced Communication Features

- 500 Real Time Event Log with Detailed Parameters
- User Friendly Multilingual 320x240 Graphic Display Provides Operation Information
- Monitoring and Shutdown Software
- RS232 Serial and RS485 Ports
- Modbus RTU (Optional)
- 2 Communication Slots
- Remote Emergency Power Off (Optional)
- Remote Display Panel (Optional)
- Dry Contact (Optional)
- SNMP (Optional)
- ProfiBUS (Optional)

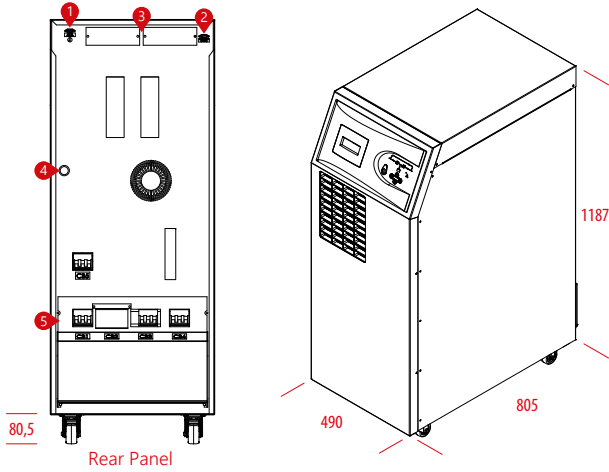
Flexibility

- Temperature sensor for external battery cabinets for extended runtimes.
- External battery cabinets for different sizes of batteries to provide extended runtimes.
- Different sizes of 10-40kVA cabinets for larger capacity of internal batteries when long autonomy times are required.
- 3/1 Phase version is available for 10-30kVA power ratings
- Frequency converter mode.
- Isolation transformers to vary neutral connectivity in the event of separate power sources or for galvanic isolation between input and output.
- Compatible version with EN 50171 for supplying power to emergency lighting systems.

DETAILS

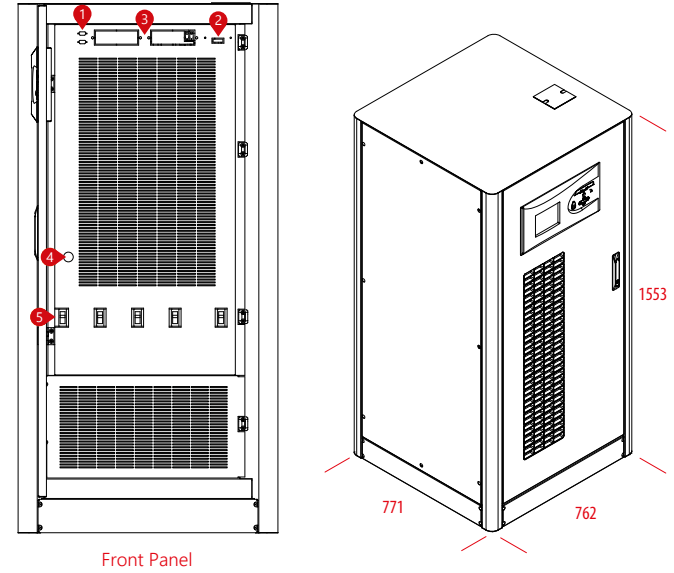
LEVELUPS SERIES 10-40 kVA

LEVELUPS SERIES 60 kVA (Power Factor 0.9)



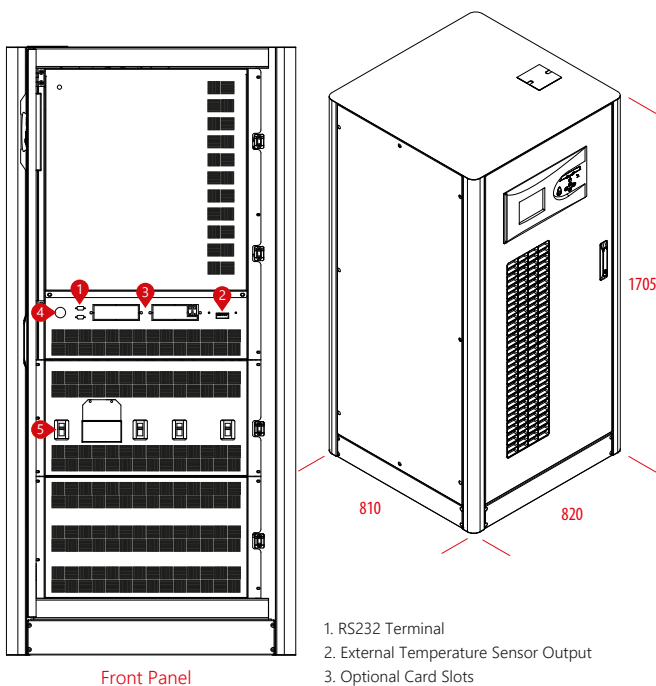
- 1. Parallel Port Terminal
- 2. RS232 Terminal
- 3. Optional Card Slots
- 4. DC Bus Ramping Up Button
- 5. Switch

LEVELUPS SERIES 60-80 kVA



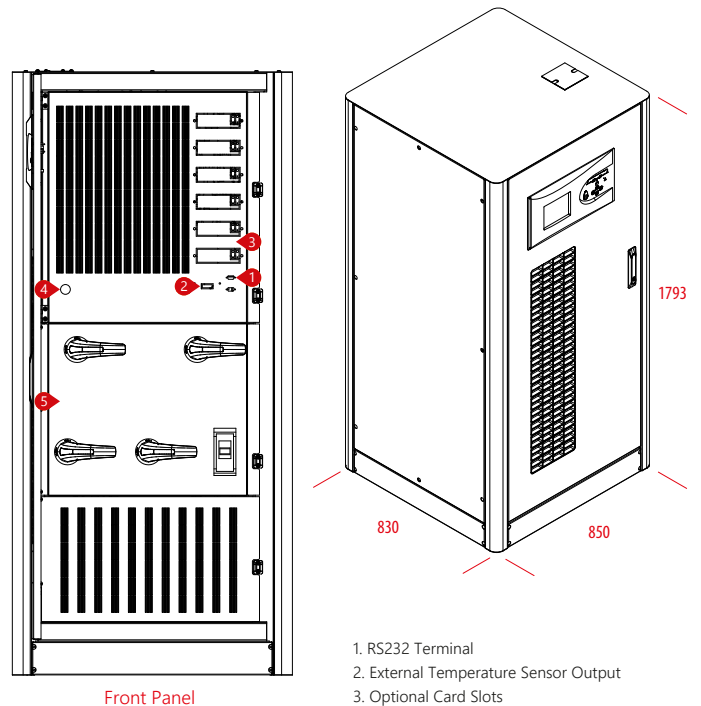
- 1. RS232 Terminal
- 2. External Temperature Sensor Output
- 3. Optional Card Slots
- 4. DC Bus Ramping Up Button
- 5. Switch

LEVELUPS SERIES 100-120 kVA



- 1. RS232 Terminal
- 2. External Temperature Sensor Output
- 3. Optional Card Slots
- 4. DC Bus Ramping Up Button
- 5. Switch

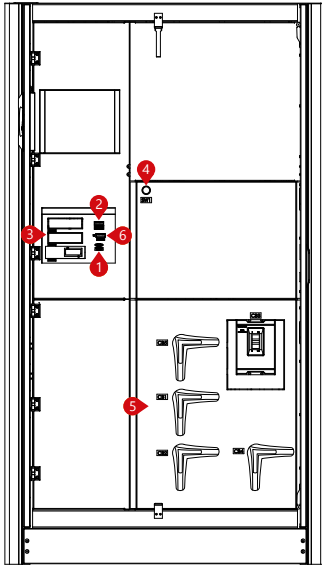
LEVELUPS SERIES 160-200-250 kVA



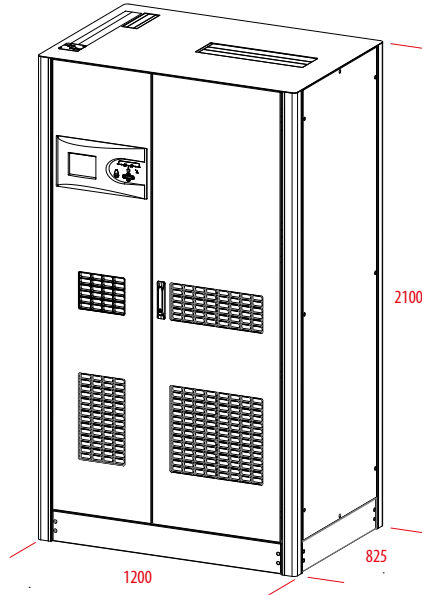
- 1. RS232 Terminal
- 2. External Temperature Sensor Output
- 3. Optional Card Slots
- 4. DC Bus Ramping Up Button
- 5. Switch

DETAILS

LEVELUPS SERIES 300-400-500 kVA

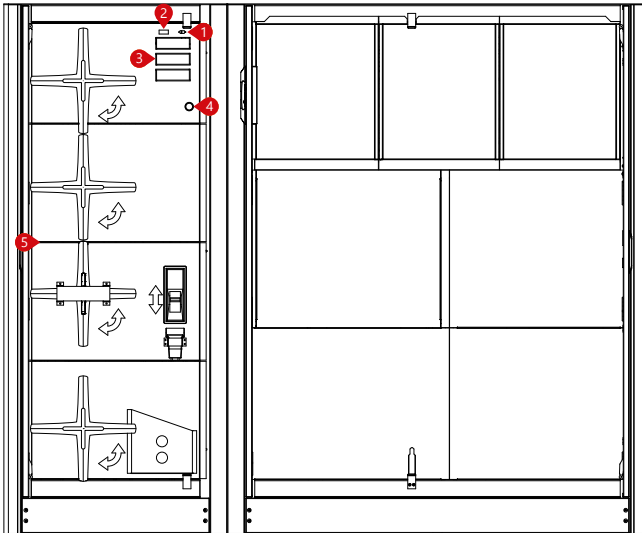


Front Panel

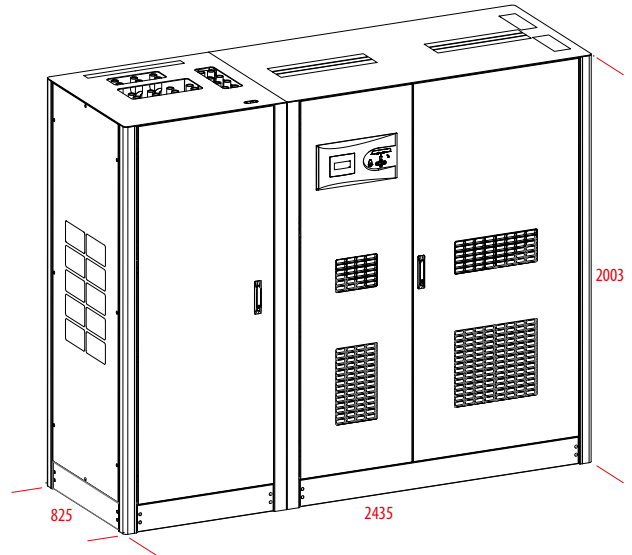


- 1. RS232 Terminal
- 2. External Temperature Sensor Output
- 3. Optional Card Slots
- 4. DC Bus Ramping Up Button
- 5. Switch
- 6. Optional Modbus

LEVELUPS SERIES 600-800-1000 kVA



Front Panel



- 1. RS232 Terminal
- 2. External Temperature Sensor Output
- 3. Optional Card Slots
- 4. DC Bus Ramping Up Button
- 5. Switch

MODEL		10kVA	15kVA	20kVA	30kVA	40kVA	60kVA	80kVA	100kVA	120kVA	160kVA	200kVA	250kVA	300kVA	400kVA	500kVA	600kVA	800kVA	1000kVA												
		10kW	15kW	20kW	30kW	40kW	60kW	80kW	100kW	120kW	160kW	200kW	225kW	270kW	360kW	450kW	540kW	720kW	900kW												
INPUT																															
Nominal Voltage		380/400/415 VAC 3 Phase +N (Optional 220/380 VAC -37% +22% 3P+N+PE)																													
Voltage Tolerance		-20% +15%																													
Frequency Tolerance		50 / 60 Hz ±10% (Selectable)																													
Power Factor		>0,99																													
Total Harmonic Distortion		THDi <3%																													
OUTPUT																															
Power Factor		1.0									0.9 (1 Optional)																				
Nominal Voltage		380/400/415 VAC 3 Phase + N																													
Voltage Tolerance		Static ±1, Dynamic ±3																													
Frequency Tolerance		50Hz / 60Hz ±0,01% (Battery Mode)																													
Output THD		Linear Load <1% / Non-Linear Load <3%																													
Crest Factor		3:1																													
Overload Capacity*		At 125% Load 10min, at 150% Load 1min																													
Efficiency (Online Mode)		96%																													
Efficiency (Eco Mode)		Up to 99%																													
BYPASS																															
Nominal Voltage		380/400/415 VAC 3 Phase + N																													
Voltage Tolerance		15% (Configurable from 10% to 30%)																													
Frequency Tolerance		±5 (Selectable)																													
BATTERY																															
Type		VRLA / GEL																													
Quantity (12V DC VRLA)		60																													
Charge Capacity		12,5% of Active Power (Nominal 0,1 C10, Adjustable)																													
Recharge Time		6-8 hours																													
Internal Battery		60 x 7Ah or 9Ah									External Battery Pack																				
ENVIRONMENT																															
Running Temperature		For UPS 0°C/+40°C For Battery +15°C/+25°C																													
Storage Temperature		For UPS -15°C/+45°C For Battery 0°C/+30°C																													
Protection Class		IP20																													
Humidity		0-95% Without Condensation																													
Altitude		<1000m, Correction Factor 1. <2000m, Correction Factor >0.92, <3000m; Correction Factor >0.84																													
Noise Level		<53 dBA	<55 dBA	<60 dBA	<65 dBA	<72 dBA	<74 dBA	<75 dBA																							
COMMUNICATION																															
Communication Port		RS232 Standart, RS485 and SNMP Adapter Option																													
STANDARDS																															
Quality		ISO 9001, ISO 14001, ISO 18001, TSE-HYB																													
Performance		EN62040-3 (VFI-SS-111, Bureau Veritas Certified)																													
EMC/LVD		EN62040-2, EN62040-1, EN60950, (TÜV SÜD Certified)																													
DIMENSIONS & WEIGHT																															
Cabinet Dimensions (mm)	Width	490					763					810					830					1250					2345				
	Depth	805					771					820					870					845					485				
	Height	1190					1555					1705					1800					2102					2003				
Net Weight (kg)		125	126	131	146	173	323	331	353	368	475	490	553	850	850	850	1740	1740	1990												
Packaging Dimensions (mm)	Width	600					900					900					900					1370					2445				
	Depth	900					970					970					970					870					585				
	Height	1400					2040					2040					2040					2120					2250				
Gross Weight (kg)		145	146	151	166	193	353	361	383	398	505	520	583	890	890	890	1820	1820	2070												

* under certain conditions.
3 Phase in / 1 Phase Out Version is Available. (10 to 30kVA)

Makelsan reserves the right to change or modify product design, construction, specifications, or materials without prior notice and without incurring any obligation to make such changes and modifications on Makelsan products previously or subsequently sold. Makelsan does not guarantee the items of the accuracy and completeness.